

FUTURA LIGHTING

120V Line Voltage Waterproof Flexible Ribbon LED Strip

Model Number: FL-STRIP-120V (Non-ETL) or ETL-STRIP-120V (ETL Approved)



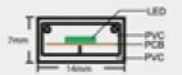
Features:

Wattage: Non-ETL: 14.4W per meter (4.4W per ft) / ETL: 9.6W per meter (3W per ft)
Number of LEDs: 60 LEDs per meter, TOP 5050 LED Diodes
Length: 50 meters per roll (164ft)
Width and Height of Strip: W: 14mm (0.55 inches), H: 7mm (0.28 inches)
LEDs per Cutting Unit: 30 LEDs
Cuttable Unit Length: Every 0.5 meters(1.64ft)
Waterproof Index: IP44
LED Life Time: 50,000 Hours
Storage Temperature: 0C - +60C
Operating Temperature: -20C - +45C
Warranty: Two-year Warranty
Approval: ETL or Non-ETL

Structural Drawing:



5050 Top LEDs:



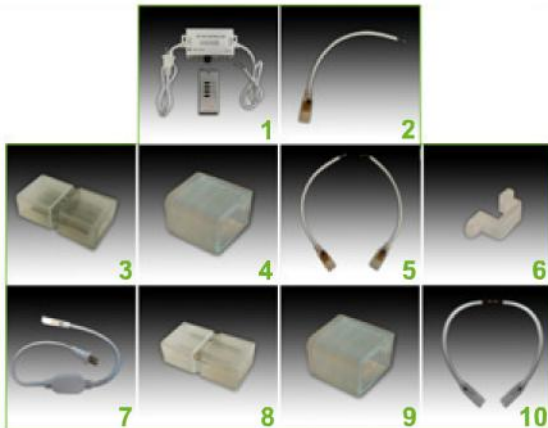
Reference Numbers:

Model No.	Light Color	Color Temp.	Lumens (lm/m)
FL-STRIP-120V-WW	Warm White	2700K - 3000K	715 lm
FL-STRIP-120V-NW	Neutral White	3800K - 4400K	800 lm
FL-STRIP-120V-W	Cool White	5500K - 6500K	890 lm
FL-STRIP-120V-RD	Red	620nm - 630nm	90 lm
FL-STRIP-120V-YL	Yellow	585nm - 595nm	130 lm
FL-STRIP-120V-BL	Blue	465nm - 475nm	90 lm
FL-STRIP-120V-GR	Green	515nm - 525nm	350 lm
FL-STRIP-120V-RGB	Color Changing	N/A	N/A
ETL-STRIP-120V-WW	Warm White	2700K - 3000K	715 lm
ETL-STRIP-120V-NW	Neutral White	3800K - 4400K	800 lm
ETL-STRIP-120V-W	Cool White	5500K - 6500K	890 lm
ETL-STRIP-120V-RD	Red	620nm - 630nm	90 lm
ETL-STRIP-120V-YL	Yellow	585nm - 595nm	130 lm
ETL-STRIP-120V-BL	Blue	465nm - 475nm	90 lm
ETL-STRIP-120V-GR	Green	515nm - 525nm	350 lm
ETL-STRIP-120V-RGB	Color Changing	N/A	N/A

Ribbon Accessories:

1. FL-STRIP-120V-CONT: 120V RGB Controller
2. FL-STRIP-120V-PC-RGB: 120V RGB Power Cord
3. FL-STRIP-120V-CONN 1: 120V RGB Ribbon to Ribbon Connector
4. FL-STRIP-120V-END 1: 120V RGB End Cap
5. FL-STRIP-120V-CORN 1: 120V RGB Corner Connector
6. FL-STRIP-120V-CLIP: 120V Clip for Strip RGB and Single Color
7. FL-STRIP-120V-PCORD: 120V Single Color Power Cord with Plug and Rectifier
8. FL-STRIP-120V-CONN 2: 120V Single Color Ribbon to Ribbon Connector
9. FL-STRIP-120V-END 2: 120V Single Color End Cap
10. FL-STRIP-120V-CORN 2: 120V Single Color Corner Connector

IF YOU NEED ACCESSORIES FOR THE ETL STRIP, REPLACE "FL-" WITH "ETL-" AT THE BEGINNING OF EACH PART NUMBER



FUTURA LIGHTING

Truly Flexible Ribbon High Brightness LED Strip

Model Number: UL-BVFLEX-O-24V



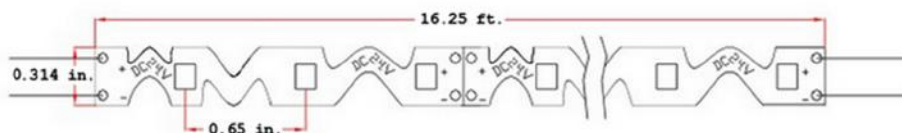
Introducing our patented revolutionary flexible LED strip. Finally, there is a flexible ribbon that is TRULY flexible (can be bent left or right when laid down on a flat surface). Designed with an articulation PCB circuit board, the LED strip can be bent freely in any direction, allowing for increased flexibility in design. Great for signs, handrails, domes, or any application where flexibility is needed.

Product Features:

- Wattage:** 3 watts per foot (48watts per roll)
- Voltage:** 24VDC
- LED Type:** 2835 SMD
- Number of LEDs:** 60 LEDs per meter (300 LEDs per roll)
- Length:** 5 meters (16.25ft)
- Width of Strip:** 8mm (0.31 inches)
- Cuttable Unit Length:** Every 6 LED diodes(4 inches)
- LED Life Time:** 50,000 Hours
- Warranty:** Two-year Warranty
- Approval:** UL Approved

Ref. Name & Colors:

- Ref. Name:** **UL-BVFLEX-O-24V (24VDC)**
- UL-BVFLEX-O-24V-WW: Warm White 2800-3100K
- UL-BVFLEX-O-24V-NW: Neutral White 4000-5500K
- UL-BVFLEX-O-24V-W: Cool White 6000-6500K
- UL-BVFLEX-O-24V-BL: Blue
- UL-BVFLEX-O-24V-RD: Red
- UL-BVFLEX-O-24V-AM: Amber



Installation and Safety Information:

- The strip itself and all its components may not be mechanically stressed.
- Assembly must not damage or destroy conducting paths on the circuit board.
- Installation of LED ribbon (with power supplies) needs to be made following all applicable electrical and safety standards. Only qualified personnel should be allowed to perform installations.
- Correct electrical polarity needs to be observed. Wrong polarity may destroy the strip.
- Parallel connection is highly recommended as safe electrical operation mode.
- Serial connection is not recommended. Unbalanced voltage drop can cause hazardous overload and damage the strip.
- When mounting on metallic or otherwise conductive surfaces, there needs to be an electrical isolation point between the strip and the mounting surface.
- Do not power more than 7.5m (25ft) of continuous strip. Otherwise the brightness will decay due to voltage drop. A separate run must be used to power additional feet of strip.

Compatible LED Drivers:

Dimmable

LED-48W-24V-LED-DIM	(48W, Input 120V 50/60Hz, Output 24VDC)
*FL-50W-24V-LED-DIM	(50W, Input 120V 50/60Hz, Output 24VDC)
FLM-60W-24V-LED-DIM	(60W, Input 120V 50/60Hz, Output 24VDC)
FL-100W-24V-LED-DIM	(100W, Input 120V 50/60Hz, Output 24VDC)
FLM-200W-24V-LED-DIM	(200W, Input 120V 50/60Hz, Output 24VDC)
FLM-300W-24V-LED-DIM	(300W, Input 120V 50/60Hz, Output 24VDC)

*New small-sized unit: (LxWxH) 6" x 2" x 1 3/8"

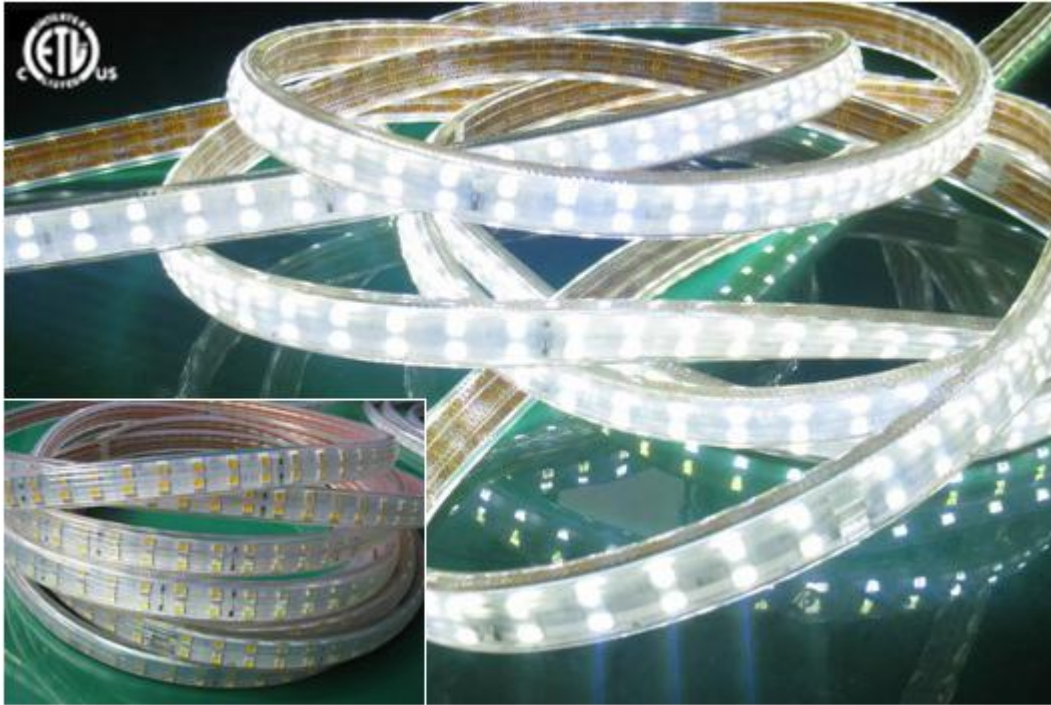
Non-Dimmable

FL-2406T Waterproof	(60W, Input 100-240V 50/60Hz, Output 24VDC)
LED-100W-24VDC	(100W, Input 100-277V 50/60Hz, Output 24VDC)
FL-2410W Waterproof	(100W, Input 100-240V 50/60Hz, Output 24VDC)
FL-2420W Waterproof	(200W, Input 100-240V 50/60Hz, Output 24VDC)

FUTURA LIGHTING

120V LED Double Tape Flexible Ribbon Strip (Waterproof)

Model Number: ETL-STRIP2-120V-WW (Warm White) & ETL-STRIP2-120V-NW (Neutral White)



Product Features:

Ref Names: ETL-STRIP2-120V-WW (Warm White) & ETL-STRIP2-120V-NW (Neutral White)

Available Diode Colors: Warm White 2700K, Neutral White 4000K

LED Diode: SMD 5050

Led Quantity: 144 LEDs/M

Wattage: 18W/M

Lifespan: 30,000 Hrs

Waterproof Grade: IP67

Cut Length: 0.5 Meters (Approx. 20")

Lumen Output: 3800 Lm/M

Voltage: AC 110-120V

Roll Length: 25m/Roll (82 Feet)

Ribbon Dimensions: 7/8 Inch In Width, 3/8 Inch In Height, 82 Feet In Length

Approval: ETL Approved

Ribbon Accessories:

ETL-STRIP2-120V-CLIP: 120V Double Strip Single Color Clip

ETL-STRIP2-120V-PCORD: 120V Double Strip Single Color Power Cord With Plug & Rect.

ETL-STRIP2-120V-CORN: 120V Double Strip Single Color Corner Connector

ETL-STRIP2-120V-END: 120V Double Strip Single Color End Cap

FUTURA LIGHTING

LED Waterproof Klik Lighting System

Model Number: FL-KLIK

Daytime



Nighttime



Our new LED Klik system comes with the LED modules, a track and small covers. The wires between the led modules can be hidden by the cover perfectly. It's most common uses include decorative lighting on edges of a building, store-front frames, tray ceiling lighting and under cabinet lighting. Its great design make installations a breeze. By using our "LED KLIK Lighting System" you will uniquely advertise your building and business!

Part Numbers (White tracks available soon):

FL-KLIK-BK-W: Black Track, Pure White 4000-5000K

FL-KLIK-WH-RGB: White Track, Color Changing (Requires its own RGB Controller to operate)

FL-KLIK-RGB-CONT: RGB Controller for Chasing Color (can control 300 modules)

Single Colors (with black tracks) Available Through Special Orders: Contact factory for availability

FL-KLIK-BK-RD: Black Track, Red

FL-KLIK-BK-YL: Black Track, Yellow

FL-KLIK-BK-BL: Black Track, Blue

FL-KLIK-BK-GR: Black Track, Green

Specifications Per System:

Input Power: 0.72W/module (14.4 per 10ft system)

Track Dimensions (LxWxH): 39 * 3/4 * 1/2 (inches) / Each System comes with 3 tracks

Length of LED modules: 10 ft (20 modules per system)

Number of Track Covers: 18 pcs per system

Housing: Plastic track and cover

Voltage: 12 Volts

Easy Three Step Installation:

1. Stick the track on the edge of the window
2. Snap the led modules inside the track
3. Snap the cover to the track and cover the wires

FUTURA LIGHTING

Marine Grade Bright Waterproof Flexible Ribbon High Brightness LED Strip

Model Number: FL-STRIP-MG



TECHNICAL PARAMETERS:

Led Light Source: 3528 SMD LED

Standard: 600 LEDs per roll (16.25 feet/5 meters)

Working Voltage: 24VDC

Power Consumption: 3.5 watts per foot (60watts per roll)

Led Light Output Per Roll: 4800lm per roll

Package: 16.25 feet per roll (5 meters)

Rating: IP66

FL-STRIP-MG-XX Colors: FL-STRIP-MG-WW (Warm White), FL-STRIP-MG-NW (Neutral White), FL-STRIP-MG-W (Cool White), FL-STRIP-MG-RD (Red), FL-STRIP-MG-BL (Blue), FL-STRIP-MG-AM (Amber), FL-STRIP-MG-GR (Green)

ACCESSORIES TO USE WITH THIS RIBBON:

Track that can be used with ribbon: [ALL TRACKS](#)

LED drivers for the FL-STRIP-MG-XX

Dimmable:

[FL-48W-24V-LED-DIM](#)

[FL-100W-24V-LED-DIM](#)

[FL-300W-24V-LED-DIM](#)

[FLM-90W-24V-LED-DIM](#)

[FLM-200W-24V-LED-DIM](#)

[FLM-300W-24V-LED-DIM](#)

Non-dimmable:

[LED-10W 24V DC](#)

[LED-25W 24V DC](#)

[FL-2406T Waterproof](#)

[LED-60W 24V DC](#)

[LED-100W 24V DC](#)

[FL-2410W Waterproof](#)

[FL-2420W Waterproof](#)

FUTURA LIGHTING

LED Downlight Collection



FUTURA LIGHTING

4" Recessed Mounted COB LED Retrofit Eyeball

Model Number: FL-4RET-WW



Specifications For Part Number: FL-4RET-WW

PERFORMANCE SUMMARY

POWER FACTOR: >0.9
INPUT POWER: 10 WATTS
INPUT VOLTAGE: 120V 60HZ
EFFICACY: 70LM/W
BEAM ANGLE: 24 DEGREES
ADJUSTABLE ANGLE: 35 DEGREES
LED: COB, WARM WHITE 2700K
FINISH: WHITE
UNIT DIMENSIONS:
5.24" TRIM DIAMETER, 4" WIDTH, 3.49" HEIGHT
APPROVED FOR DAMP LOCATION: YES
LIFETIME: 35,000 HOURS
DIMMABLE: TRIAC DIMMING
COMES WITH DIMMABLE DRIVER
UL CLASSIFIED RETROFIT DOWNLIGHT

RECOMMENDED DIMMERS:

LUTRON: SCL-153P, DVCL-153P, TGCL-153P

LEVITON: 6683 DECORA-6672

HOUSING COMPATIBILITY

THIS RECESSED DOWNLIGHT HAS E26 EDISON SCREW-BASE OR GU24 AVAILABLE AND IS UL LISTED FOR INSTALLATION AND APPROVED FOR SHALLOW RECESSED HOUSING SERIES. IT IS ALSO IC-RATED FOR DIRECT CONTACT WITH INSULATION.

SUITABLE FOR:

HALO LED CANS:
H455RICAT120D, H455RTUNVD010, H455TUNVD010,
H455TCPUNVD010, H995RICAT

ALL-PRO INCANDESCENT CANS:
E1400LVAT, ET400ATSB, ET400LVAT, ET400LVRAT, ET400RATSB

JUNO CANS:

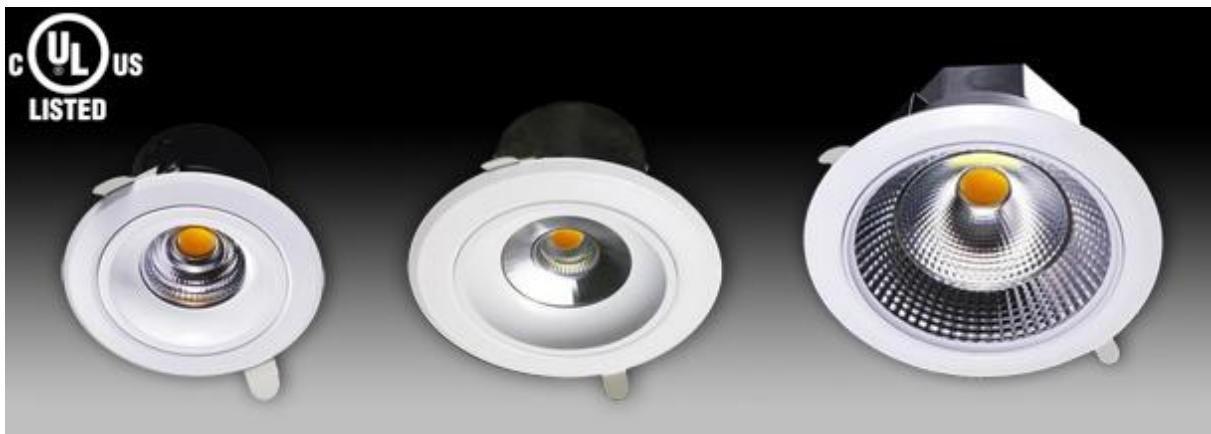
IC1, IC1W, IC1S, TC1, TC1S

IF HOUSING IS NOT ON THE LIST ABOVE, THESE ARE THE MEASUREMENTS NEEDED FOR COMPATIBILITY: HEIGHT MUST BE GREATER THAN OR EQUAL TO 5.5", WIDTH MUST BE 4"

FUTURA LIGHTING

LED Recessed Downlight Collection

Model Number: FL-JXLCOB



Part Numbers and Specifications:

Part Number: FL-JXLCOB04T08WUL

5 INCH COB DOWNLIGHT

SIZE: DIA 5 1/16" x 3 1/2"

LIGHT COLOR: WARM WHITE, 3000K

LED TYPE: COB

INPUT VOLTAGE: 120V

FREQUENCY: 50/60HZ

RATED POWER: 10W

DIMMABLE: YES W/ STANDARD DIMMER

MATERIAL: PURE ALUMINUM & HEAT-RESISTANT PC

BEAM ANGLE: 30 DEGREES

LUMENS OUTPUT: 640LM

WORKING TEMPERATURE: BELOW 140F

CUTOUT SIZE: DIA 3 15/16"

UL LISTED: YES (NO HOUSING REQUIRED)

Part Number: FL-JXLCOB06T015WUL

7 1/3 INCH COB DOWNLIGHT

SIZE: DIA 7 5/16" x 4 3/16"

LIGHT COLOR: WARM WHITE, 3000K

LED TYPE: COB

INPUT VOLTAGE: 120V

FREQUENCY: 50/60HZ

RATED POWER: 15W

DIMMABLE: YES W/ STANDARD DIMMER

MATERIAL: PURE ALUMINUM & HEAT-RESISTANT PC

BEAM ANGLE: 30 DEGREES

LUMENS OUTPUT: 1200LM

WORKING TEMPERATURE: BELOW 140F

CUTOUT SIZE: DIA 6 5/16"

UL LISTED: YES (NO HOUSING REQUIRED)

Part Number: FL-JXLCOB08T030WUL

9 1/2 INCH COB DOWNLIGHT

SIZE: DIA 9 3/8" x 5 3/8"

LIGHT COLOR: WARM WHITE, 3000K

LED TYPE: COB

INPUT VOLTAGE: 120V

FREQUENCY: 50/60HZ

RATED POWER: 30W

DIMMABLE: YES W/ STANDARD DIMMER

MATERIAL: PURE ALUMINUM & HEAT-RESISTANT PC

BEAM ANGLE: 45 DEGREES

LUMENS OUTPUT: 2400LM

WORKING TEMPERATURE: BELOW 140F

CUTOUT SIZE: DIA 8 1/4"

UL LISTED: YES (NO HOUSING REQUIRED)

FUTURA LIGHTING

15 Watt LED Recessed Gimbal

Model Number: FL-1105 02WW



Photometric Characteristics:

Light Source: 1 x 15 Watts LED

Color Temperature: 2700-3300K (Warm White)

Lumen Output: 904-942lm (Warm White)

Beam Angle: 32 Degrees

Color Rendering Index: CRI>80

Effective Lifetime: >50,000hrs (70% Lumen Maintenance)

Mechanical Characteristics:

Method of Installation: Recessed Mounted with Spring

Dimensions: DIA: 4" x 4 1/4"

Cutout Size: 3 1/2"

IP Rating: IP54

Finish: White

Protection Rating: Indoor use only

Electrical Characteristics:

Power: 15 Watts

Current: 700mA/20.75VDC

Dimmable with our UL Recognized LED Dimmable Driver Which is included: LED-16.8W; Input 120VAC; Output 700mA (Must Use One Per Gimbal)



FUTURA LIGHTING

15 Watt LED Recessed Gimbal

Model Number: FL-1106 02WW



Photometric Characteristics:

Light Source: 1 x 15 Watts LED

Color Temperature: 2700-3300K (Warm White)

Lumen Output: 904-942lm (Warm White)

Beam Angle: 32 Degrees

Color Rendering Index: CRI>80

Effective Lifetime: >50,000hrs (70% Lumen Maintenance)

Mechanical Characteristics:

Method of Installation: Recessed Mounted with Spring

Dimensions: DIA: 4" x 4 1/4"

Cutout Size: 3 1/2"

IP Rating: IP54

Finish: White

Protection Rating: Indoor use only

Electrical Characteristics:

Power: 15 Watts

Current: 700mA/20.75VDC

Dimmable with our UL Recognized LED Dimmable Driver which is included: LED-16.8W; Input 120VAC; Output 700mA (Must Use One Per Gimbal)



FUTURA LIGHTING

15 Watt LED Recessed Gimbal

Model Number: FL-1107 02WW



Photometric Characteristics:

Light Source: 1 x 15 Watts LED

Color Temperature: 2700-3300K (Warm White)

Lumen Output: 904-942lm (Warm White)

Beam Angle: 32 Degrees

Color Rendering Index: CRI>80

Effective Lifetime: >50,000hrs (70% Lumen Maintenance)

Mechanical Characteristics:

Method of Installation: Recessed Mounted with Spring

Dimensions: DIA: 4" x 4 1/4"

Cutout Size: 3 1/2"

IP Rating: IP54

Finish: White

Protection Rating: Indoor use only

Electrical Characteristics:

Power: 15 Watts

Current: 700mA/20.75VDC

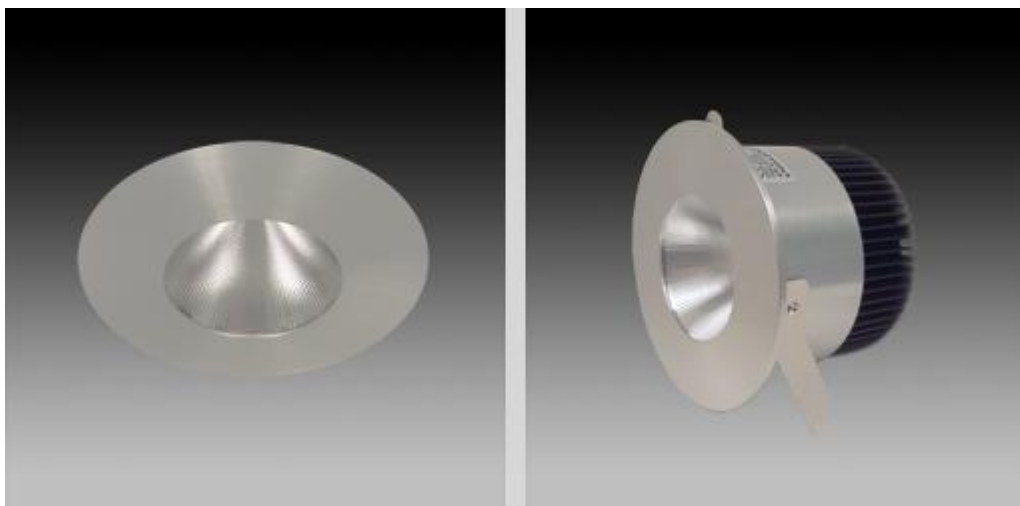
Dimmable with our UL Recognized LED Dimmable Driver which is included: LED-16.8W; Input 120VAC; Output 700mA (Must Use One per Gimbal)



FUTURA LIGHTING

15 Watt LED Recessed Downlight

Model Number: FL-1137 05WW



Photometric Characteristics:

Light Source: 1 x 15 Watts LED

Color Temperature: 2700-3300K (Warm White)

Lumen Output: 904-942lm (Warm White)

Beam Angle: 40 Degrees

Color Rendering Index: CRI>80

Effective Lifetime: >50,000hrs (70% Lumen Maintenance)

Mechanical Characteristics:

Method of Installation: Recessed Mounted with Spring

Dimensions: DIA: 4 3/4" DIA x 3 3/4" H

Cutout Size: 4"

IP Rating: IP40

Finish: Brushed Chrome

Protection Rating: Indoor use only

Electrical Characteristics:

Power: 15 Watts

Current: 700mA/20.75VDC

Dimmable with our UL Recognized LED Dimmable Driver which is included: LED-16.8W; Input 120VAC; Output 700mA (Must Use One Per Downlight)



FUTURA LIGHTING

15 Watt LED Recessed Downlight

Model Number: FL-1138 02WW



Photometric Characteristics:

Light Source: 1 x 15 Watts LED

Color Temperature: 2700-3300K (Warm White)

Lumen Output: 904-942lm (Warm White)

Beam Angle: 32 Degrees

Color Rendering Index: CRI>80

Effective Lifetime: >50,000hrs (70% Lumen Maintenance)

Mechanical Characteristics:

Method of Installation: Recessed Mounted with Spring

Dimensions: DIA: 4 1/4" x 4 1/4"

Cutout Size: 3 7/8"

IP Rating: IP40

Finish: White

Protection Rating: Indoor use only

Electrical Characteristics:

Power: 15 Watts

Current: 700mA/20.75VDC

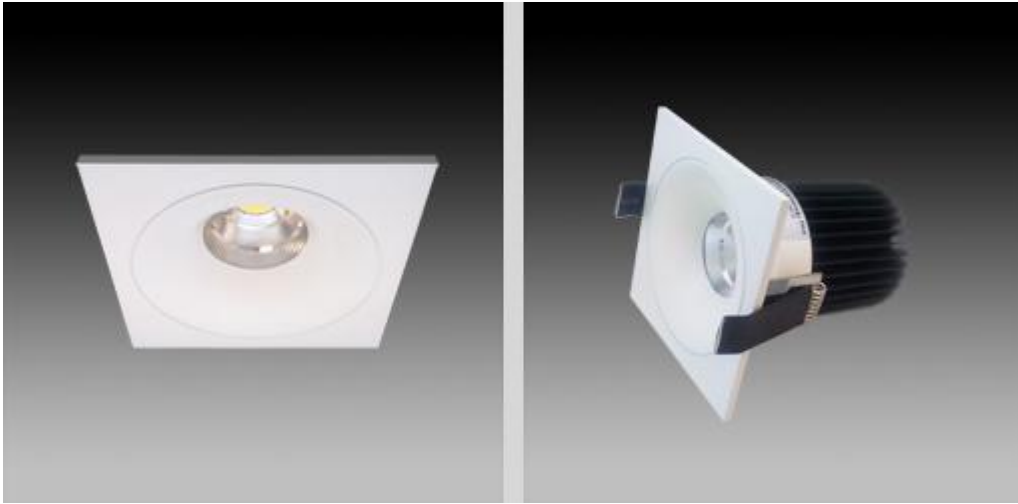
Dimmable with our UL Recognized LED Dimmable Driver which is included: LED-16.8W; Input 120VAC; Output 700mA (Must Use One Per Downlight)



FUTURA LIGHTING

15 Watt LED Recessed Downlight

Model Number: FL-1170 02WW-S



Photometric Characteristics:

Light Source: 1 x 15 Watts LED

Color Temperature: 2700-3300K (Warm White)

Lumen Output: 904-942lm (Warm White)

Beam Angle: 32 Degrees

Color Rendering Index: CRI>80

Effective Lifetime: >50,000hrs (70% Lumen Maintenance)

Mechanical Characteristics:

Method of Installation: Recessed Mounted with Spring

Dimensions: L: 4 1/8" x W: 4 1/8" x H: 4 1/4"

Cutout Size: 4"

IP Rating: IP40

Finish: White

Protection Rating: Indoor use only

Electrical Characteristics:

Power: 15 Watts

Current: 700mA/20.75VDC

Dimmable with our UL Recognized LED Dimmable Driver which is included: LED-16.8W; Input 120VAC; Output 700mA (Must Use One Per Downlight)



FUTURA LIGHTING

9 Watt LED Recessed Gimbal

Model Number: FL-2620 02



Part Numbers: FL-2620 02WW (Warm White), FL-2620 02W (Cool White)

Photometric Characteristics:

Light Source: 1 x 9 Watts CREE-XTE LED

Color Temperature: 2700-3000K (Warm White), 5000K (Cool White)

Lumen Output: 560lm (Warm White), 650lm (Cool White)

Beam Angle: 38 Degrees

Color Rendering Index: CRI>80

Effective Lifetime: >50,000hrs (70% Lumen Maintenance)

Mechanical Characteristics:

Method of Installation: Recessed Mounted with Spring

Dimensions: DIA: 3 7/8" x H: 1"

Cutout Size: 3 1/4"

Finish: White

Protection Rating: Indoor use only

Electrical Characteristics:

Power: 9 Watts

Driver Input: 100-130VAC

Driver Output: DC37V, 200mA +/-10%

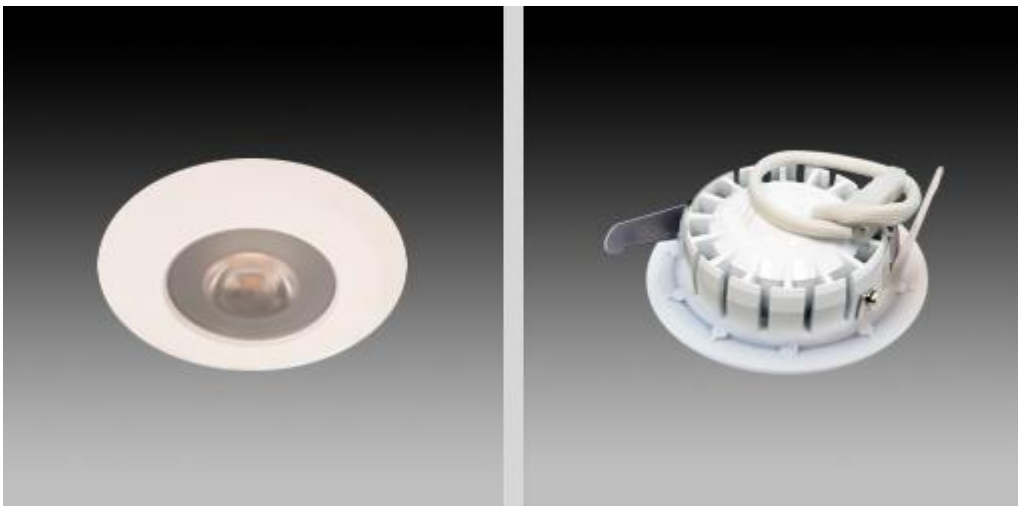
Dimmable with our LED Dimmable Driver which is included (Must Use One Per Gimbal)



FUTURA LIGHTING

9 Watt LED Recessed Downlight

Model Number: FL-2621 02



Part Numbers: FL-2621 02WW (Warm White), FL-2621 02W (Cool White)

Photometric Characteristics:

Light Source: 1 x 9 Watts CREE-XTE LED

Color Temperature: 2700-3300K (Warm White), 5000K (Cool White)

Lumen Output: 560lm (Warm White), 650lm (Cool White)

Beam Angle: 38 Degrees

Color Rendering Index: CRI>80

Effective Lifetime: >50,000hrs (70% Lumen Maintenance)

Mechanical Characteristics:

Method of Installation: Recessed Mounted with Spring

Dimensions: DIA: 3 1/2" x H: 1"

Cutout Size: 2 7/8"

Finish: White

Protection Rating: Indoor use only

Electrical Characteristics:

Power: 9 Watts

Driver Input: 100-130VAC

Driver Output: DC37V, 200mA +/-10%

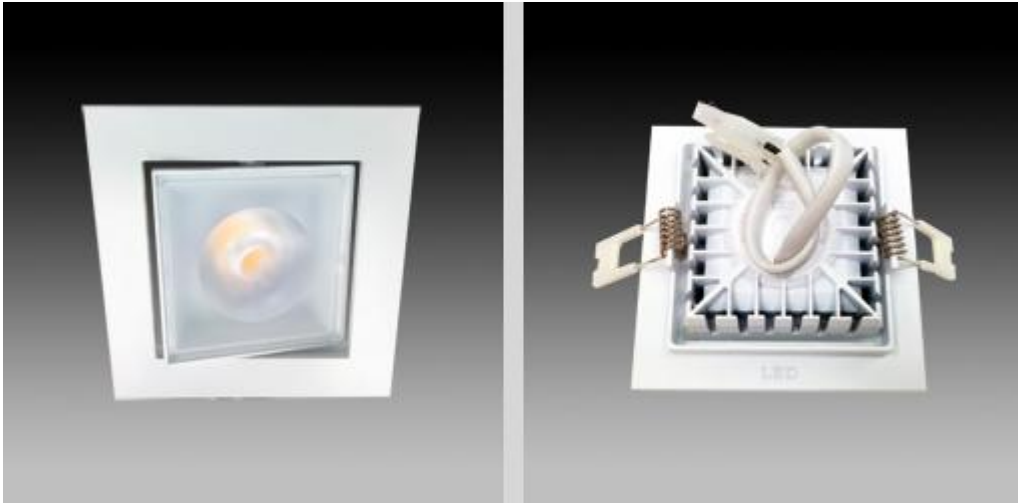
Dimmable with our LED Dimmable Driver which is included (Must Use One Per Downlight)



FUTURA LIGHTING

9 Watt LED Recessed Gimbal

Model Number: FL-2622 02



Part Number: FL-2622 02WW (Warm White)

Photometric Characteristics:

Light Source: 1 x 9 Watts CREE-XTE LED

Color Temperature: 2700-3000K (Warm White)

Lumen Output: 560lm (Warm White)

Beam Angle: 38 Degrees

Color Rendering Index: CRI>80

Effective Lifetime: >50,000hrs (70% Lumen Maintenance)

Mechanical Characteristics:

Method of Installation: Recessed Mounted with Spring

Dimensions: L: 3 15/16" x W: 3 15/16" H: 1 1/16"

Cutout Size: 3 1/4"

Finish: White

Protection Rating: Indoor use only

Electrical Characteristics:

Power: 9 Watts

Driver Input: 100-130VAC

Driver Output: DC37V, 200mA +/-10%

Dimmable with our UL Recognized LED Dimmable Driver which is included (Must Use One Per Gimbal)



FUTURA LIGHTING

13 Watt LED Recessed Downlight

Model Number: FL-2625



Utilizing the most advanced power LEDs from worldwide renowned companies, Futura Lighting's 2625 downlight integrates electrical, optical, and thermal management aspects of LEDs while at the same time remaining slim and compact in size. Our 2625 is built specifically to model under limited space where traditional lighting fixtures are too large to fit in.

*****NEW Finishes Available*** White and Brushed Chrome**

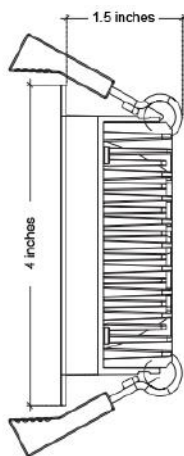
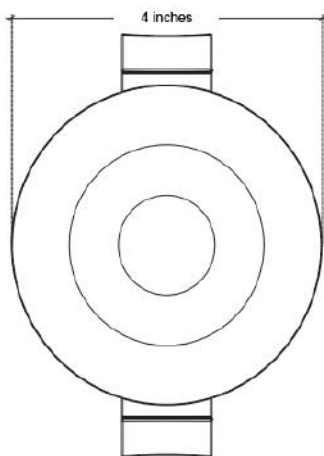
Dimmable LED Driver included

Driver Specs:

Pri: AC100-140V 0.16A 60Hz

Sec: DC23-38V 290mA +-5%

Dimensions: (L x W x H) 4 1/2" x 1 13/16" x 1 1/8"



Specification:

Model Number: FL-2625

Product size: 102 * H36 mm

Ceiling Cutout: 90-95 mm

Color Temp: Warm White: 2800K-3000K, Cool White: 5700K

Input Voltage(V): 100-120V

Lamp Power: 13W

Lamp Luminous Flux(lm): Cool White: 900lm, Warm White: 800lm

Lamp Luminous Efficiency(lm/w): 80 CRI

(Ra>): 83

Color Temperature(CCT): Warm White or Cool White

Working Temperature(C): -10 - +45

Working Lifetime(Hour): 50,000

Lamp Body Material: Aluminum

IP Rating: IP44

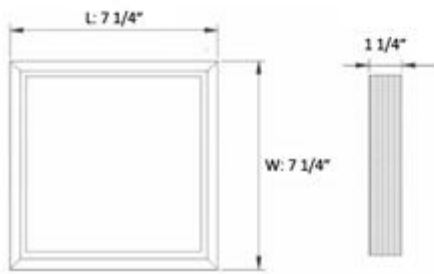
FUTURA LIGHTING

FL-PL Series Square LED Panel Lights

Model Number: FL-PL180 X 180N-DS (Surface) & FL-PL145 X 145W-DC (Recessed)



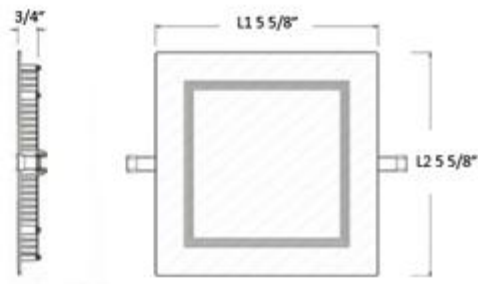
Surface Mounted Unit



Driver Included



Recessed Mounted Unit



Driver Sold Separately



Specifications For Part Numbers: FL-PL180 X 180N-DS: (Surface) & FL-PL145 X 145W-DC (Recessed)

Input Voltage: 24VDC

Wattage: 14W (Surface), 8W (Recessed)

Ceiling Cutout For Recessed Panel: 5 1/4"

Dimmable: Yes, with Lutron's DIVA Series Dimmers

Luminous Flux Per LED: 15Lm

Color Temperature: 2900~3200K (Warm White), 4000~4500K (Neutral White)

LED Type: SMD2835

Color Rendering Index: CRI(RA)=90

Lifetime: 50,000 Hours

Operating Temperature: -20C To +50C

Storage Temperature: -40C To +85C

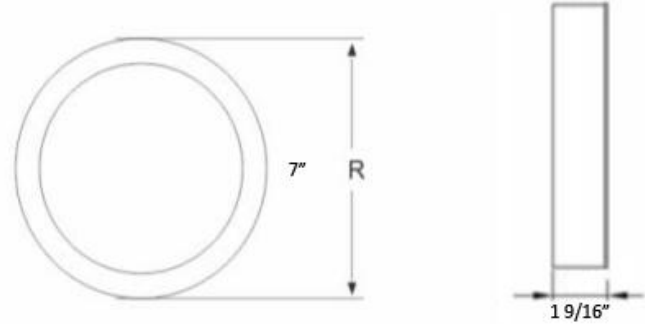
Certifications: CE And UL

Luminaries Class: Class 2



FL-PR Round Surface Mounted LED Panel Light

Model Number: FL-PR180W-DS (Surface)



Specifications For Part Number: FL-PR180W-DS

The new aluminum body insures heat dissipation and long life-span, saving up 50% energy consumption. The high CRI insures a truer color emission. Green environmental protection, lead-free material, conforming to RoHS. No RF interference. Refined workmanship with good corner seam joints. Excellent thermal management, with refined aluminum which lengthens the life span of led light. This constant voltage panel light can be used with **Lutron's DIVA series dimmers**.

Reference Name: FL-PR180W-DS

Input Voltage: 24VDC

Wattage: 11W

Dimmable: Yes, Comes with Dimmable Driver

Luminous Flux Per LED: 15 Lm

Color Temperature: 2700~2900K (Warm White), 4000~4500K (Neutral white)

LED Type: SMD2835

Color Rendering Index: CRI (RA)=90

Lifetime: 50,000 Hours

Operating Temperature: -20C to +50C

Storage Temperature: -40C to +85C

Certifications: CE and UL

Luminaries Class: Class 2

FUTURA LIGHTING

LED Panel Light Collection

Model Number: FL3C



To View Larger Images, Move Pointer Over Pictures

The unique design of the LED panel lamp makes the entire surface of the light get an equal and uniform illumination. Due to its green energy design, it has a smooth outside appearance and low-power consumption. All materials used are environment friendly and performs much better than a Grille lamp light on lighting efficiency and brightness. This unit is a great substitute for Grille lights using T8 fluorescent tubes. The lifespan of these LED panel lamps are 10 times of the traditional tube lights using only half the power consumption. Our constant voltage panel lights work with our 12V DC drivers and can be used with Lutron's DIVA series dimmers.

Three Dimensions Available: FL3C04, FL3C06, FL3C08

Reference Name: FL3C04-WW (Warm White), FL3C04-NW (Neutral White)

Dimensions: DIA: 4 3/4" x Thickness: 1"

Cutout: 4 1/4"

Power: 8W

Temp: 2800-3200K (WW), 4000-4500K (NW)

Luminous Flux (Lm): 220 (WW), 250 (NW)

Illuminance (lux at meter-distance): 1M 118 / 3M 25 / 5M 11

Reference Name: FL3C06-WW (Warm White), FL3C06-NW (Neutral White)

Dimensions: DIA: 6 3/4" x Thickness: 1"

Cutout: 6 3/8"

Power: 14W

Temp: 2800-3200K (WW), 4000-4500K (NW)

Luminous Flux (Lm): 430 (WW), 480 (NW)

Illuminance (lux at meter-distance): 1M 192 / 3M 49 / 5M 23

Reference Name: FL3C08-WW (Warm White), FL3C08-NW (Neutral White)

Dimensions: DIA: 8 3/4" x Thickness: 1"

Cutout: 8 1/4"

Power: 18W

Temp: 2800-3200K (WW), 4000-4500K (NW)

Luminous Flux (Lm) 790 (WW), 860 (NW)

Illuminance (lux at meter-distance): 1M 580 / 3M 168 / 5M 72

Each LED Panel Light comes with a 5ft wire with connector. If a longer wire is required, we have a 50ft wire available (Part# FL3C-WIRE).

To be used with the following drivers:

Dimmable:

[FL-35W-12V-LED-Dimm](#)

[FL-36W-12V-LED-Dimm](#)

[FL-50W-12V-LED-Dimm](#)

[FL-60W-12V-LED-Dimm](#)

[FL-240W-12V-LED-Dimm](#)

[FLM-60W-12V-LED-Dimm](#)

[FLM-90W-12V-LED-Dimm](#)

[FLM-150W-12V-LED-Dimm](#)

[FLM-200W-12V-LED-Dimm](#)

[FLM-300W-12V-LED-Dimm](#)

Non-dimmable:

[LED-10W 12V DC](#)

[LED-25DC 12V/25W DC](#)

[LED-60DC 12V/60W DC](#)

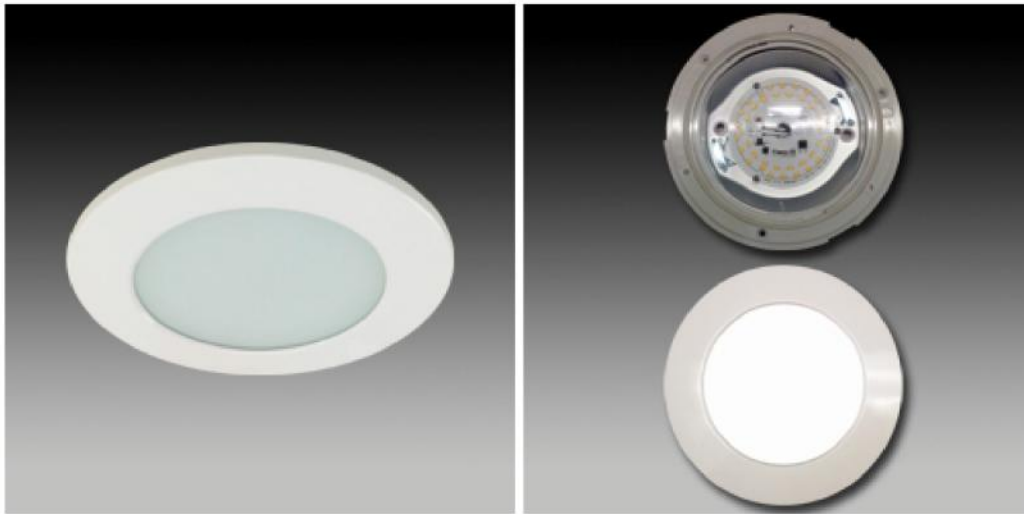
[FL-60W-LED-PLUG-IN 12V/60W DC](#)

[LED-100DC 12V/100W DC](#)

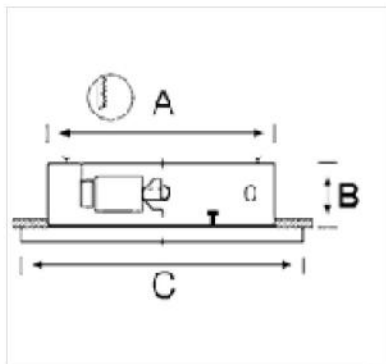
FUTURA LIGHTING

LED Recessed Downlight

Model Numbers: LED-ML4 and LED-ML5



This LED recessed light is for interior or exterior use. It features a stainless steel trim ring, polished or powder coated white, a reflector made in high vacuum metal aluminum, a polycarbonate body, 2 silicone gaskets, and a silk printed tempered glass lens. The front trim ring twists off for easy relamping.



LED-ML4: [1x8W Disc Included \(FL-DIS2\)](#)

A: Cutout 4 1/2"

B: Depth 1"

C: DIA 6 1/8"

LED-ML5: [1x10W Disc Included \(FL-DIS3\)](#)

A: Cutout: 5 1/8"

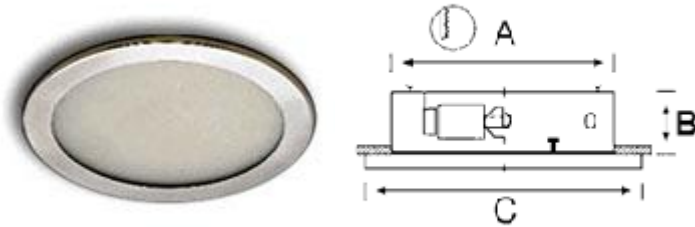
B: Depth 1"

C: DIA 7"

FUTURA LIGHTING

Halogen Recessed Downlight

Model Numbers: ML4 and ML5



IP65

This recessed light is for interior or exterior use. It features a stainless steel trim ring, polished or powder coated white, a reflector made in high vacuum metallized aluminum, a polycarbonate body, 2 silicone gaskets, and a silk printed tempered glass lens. The front trim ring twists off for easy relamping.

ML4: 1x20W

A: Cutout 4 1/2"

B: Depth 1"

C: DIA 6 1/8"

ML5: 2x20W

A: Cutout: 5 1/8"

B: Depth 1"

C: DIA 7"

Specifications of bulbs that can be used with this unit:





















12/24V G-4 20W Bulb

110/120V GY6.35 20W Bulb

220/230V GY6.35 20W Bulb

FUTURA LIGHTING

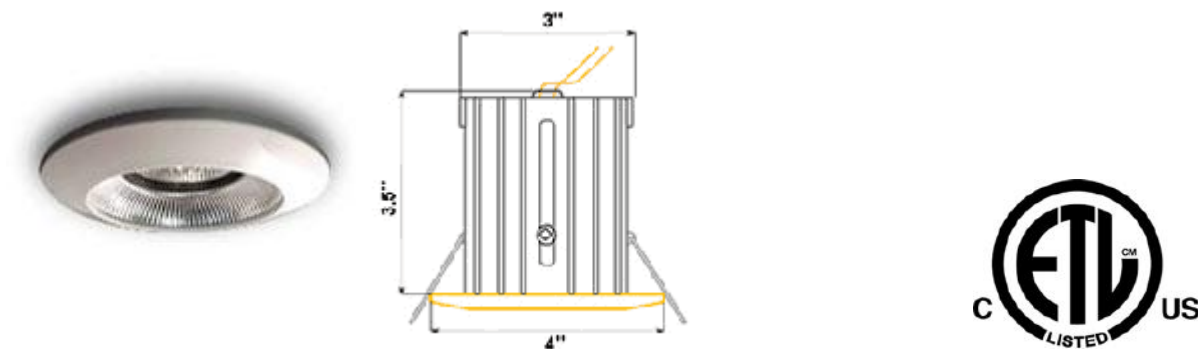
Display Downlights

			
1402 Ribbed Reflector Recessed Downlight	1404 Gimbal Ring Recessed Downlight	1602 Recessed Downlight	1603 Recessed Downlight
			
1604 Gimbal Ring Recessed Downlight	1701 Recessed Downlight	ML4 and ML5	9600 Recessed Downlights
			
9600 Frost Center Tempered Downlights	9600 Cross Louvre Downlights	9600 Round Louvre Downlights	9600 Cone Downlights
			
9610 Square Recessed Downlights	9610 Square Frost Center Downlights	9610 Square Cross Louvre Downlights	9610 Square Louvre Downlights
			
9610 Square Cone Downlights	9620 Gimbal Recessed Downlights	9630 Square Recessed Gimbal Downlights	

FUTURA LIGHTING

Display Downlight

Model Number: 1402



This innovative recessed downlight, with ribbed reflector and low profile trim ring is designed to accommodate a 12/24V low voltage MR16 bulb. This low voltage unit is supplied with an aluminum diecast housing. It mounts easily by means of side butterfly springs and relamps from the front by removing the face ring. The 1402 is ETL approved and conforms to UL standard 153. MAX. 35 watts.

Can be used with:

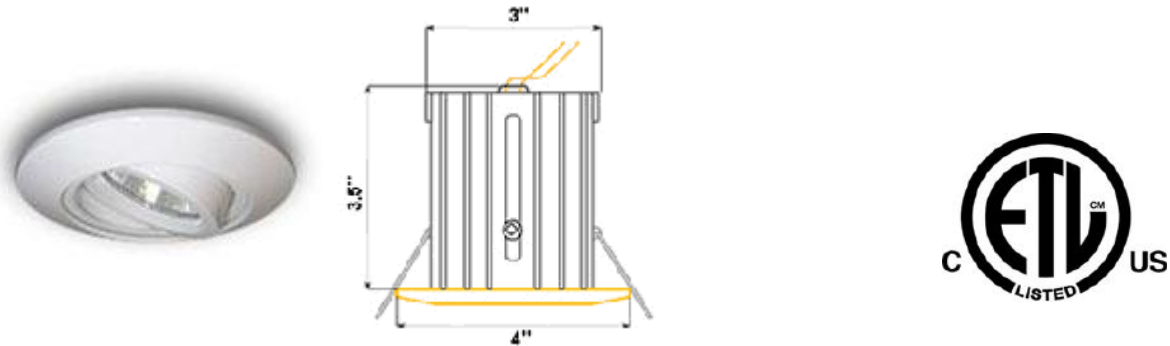
- 12 Volt MR16: Low Volt Halogen Bulb
- 24 Volt MR16: Low Volt Halogen Bulb
- Led MR16 6 Watts Led Light Bulb
- Led GU10 7 Watts Led Light Bulb



FUTURA LIGHTING

Display Gimbal

Model Number: 1404



This innovative 30 degree adjustable angle recessed gimbal provided with an aluminum diecast housing and porcelain MR16 socket to accommodate a 12V, 24V, or 28V low voltage MR16 light bulb. This unit mounts easily by means of side springs and relamps from the front by removing the face ring. The 1404 is ETL approved and conforms to UL standard 153. MAX. 35 Watts

Can be used with:

- 12 Volt MR16: Low Volt Halogen Bulb
- 24 Volt MR16: Low Volt Halogen Bulb
- 28 Volt MR16: Low Volt Halogen Bulb
- Led MR16 6 Watts Led Light Bulb
- Led GU10 7 watts Led Light Bulb



FUTURA LIGHTING

Display Downlight

Model Number: 1602



This innovative recessed downlight is designed to accommodate a GU 10 halogen bulb, not supplied, eliminating the need of a 12V step down transformer. This unit is made of die cast aluminum for optimum heat dissipation. The unit mounts easily by means of side butterfly springs located in the body and relamps from the front simply by detaching the face ring. The adjustable socket bridge makes possible the usage of front lenses such as UV, frosted and color correction filters. Cut Out 2 13/16"

Can be used with:

- 120VGU10: Line Volt Halogen Bulb
- 220VGU10: Line Volt Halogen Bulb
- Led GU10 7 Watts Led Light Bulb



FUTURA LIGHTING

Display Downlight

Model Number: 1603



This innovative recessed downlight is provided with a GU 5.35 porcelain socket to accommodate a 12V/24V low voltage MR-16 or a 120/220V line voltage MR-16, not supplied. The unit is made of die cast aluminum for optimum heat dissipation. The unit mounts easily by means of side butterfly springs and relamps from the front by simply detaching the face ring. Cut Out 2 13/16"

Can be used with:

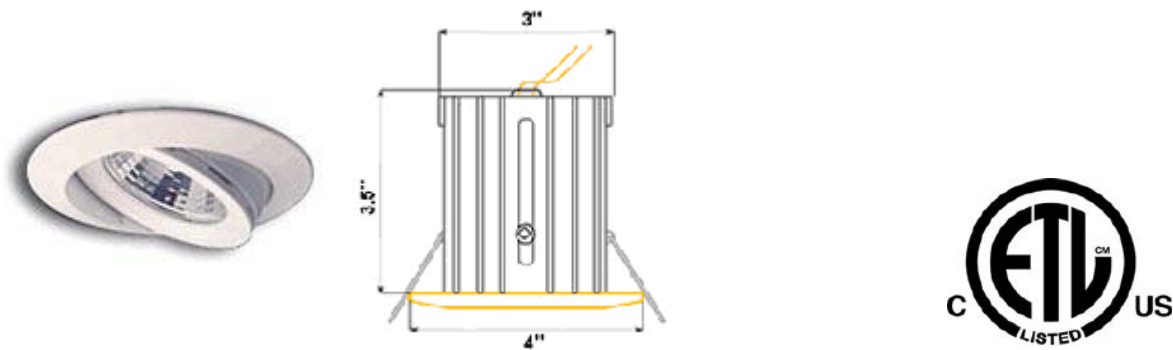
- 12V MR16: Low Volt Halogen Bulb
- 24V MR16: Low Volt Halogen Bulb
- 28V MR16: Low Volt Halogen Bulb
- 120V MR16: Line Volt Halogen Bulb
- 220V MR16: Line Volt Halogen Bulb
- Led MR16 6 Watts Led Light Bulb



FUTURA LIGHTING

Display Gimbal

Model Number: 1604



This innovative 30 degree adjustable angle recessed gimble downlight is provided with a GU 5.35 porcelain socket to accommodate a 12/24V low voltage MR-16 halogen bulb or 120/220V line voltage MR-16 halogen bulb, not supplied. The unit is made of die cast aluminum for optimum heat dissipation. The unit mounts easily by means of side butterfly springs and relamps from the front by simply detaching the face ring.

Can be used with:

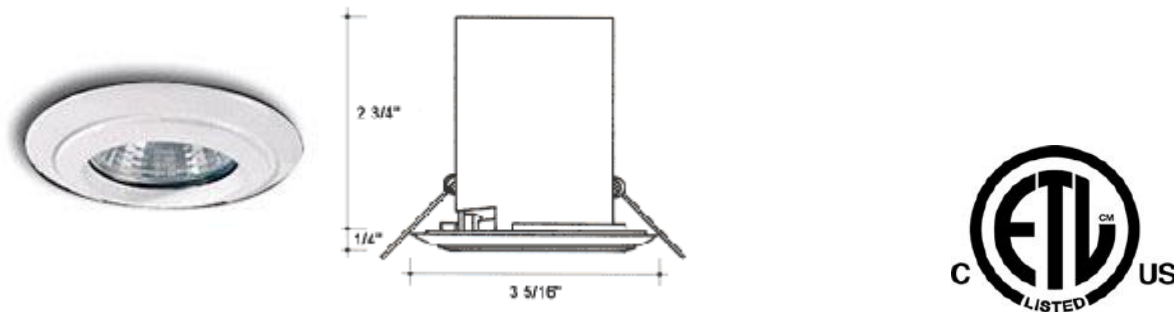
- 12V MR16: Low Volt Halogen Bulb
- 24V MR16: Low Volt Halogen Bulb
- 28V MR16: Low Volt Halogen Bulb
- 120V MR16: Line Volt Halogen Bulb
- 220V MR16: Line Volt Halogen Bulb
- Led MR16 6 Watts Led Light Bulb
- Led GU10 7 Watts Led Light Bulb



FUTURA LIGHTING

Display Downlight

Model Number: 1701



This innovative recessed downlight is designed to accommodate a 12/24V low voltage MR16 bulb, or 120/220V GU10 bulbs thus eliminating the need for a step-down transformer. The line voltage unit is supplied with a 10ft cord with a plug for simple hookup. It mounts easily by means of side butterfly springs and relamps from the front by removing the face ring. The 1701 is ETL approved and conforms to UL standard 153. MAX 35 Watts

IP 20

Cutout: 2 1/2"

Can be used with:

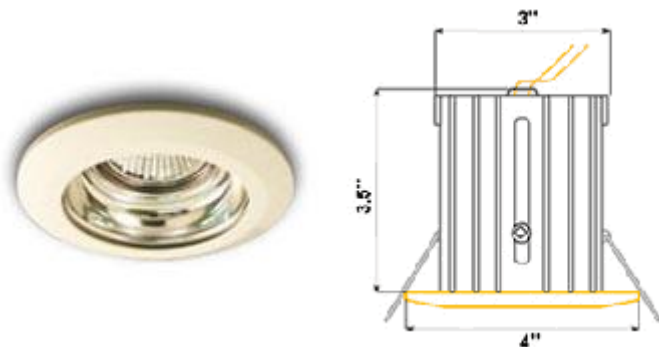
- 12V MR16: Low Volt Halogen Bulb
- 24V MR16: Low Volt Halogen Bulb
- 120V MR16: Line Volt Halogen Bulb
- 220V MR16: Line Volt Halogen Bulb
- Led MR16: 6 Watts Led Light Bulb
- Led GU10 7 Watts Led Light Bulb



FUTURA LIGHTING

Display Downlight

Model Number: 9600



The 9600 and 9610 downlight features several options for trim rings, baffles and decorative inserts, which makes this collection a perfect light for specifiers. Supplied with a MR16 or MR16G8 socket assembly, the 9600 and 9610 can be used with low voltage or line voltage bulbs (**Line Voltage only in Marine use**). It mounts with spring clips and comes with a ground and connector for easy installation. The 9600 series are ETL approved and conforms to UL standard 153. MAX 35 Watts

Can be used with:

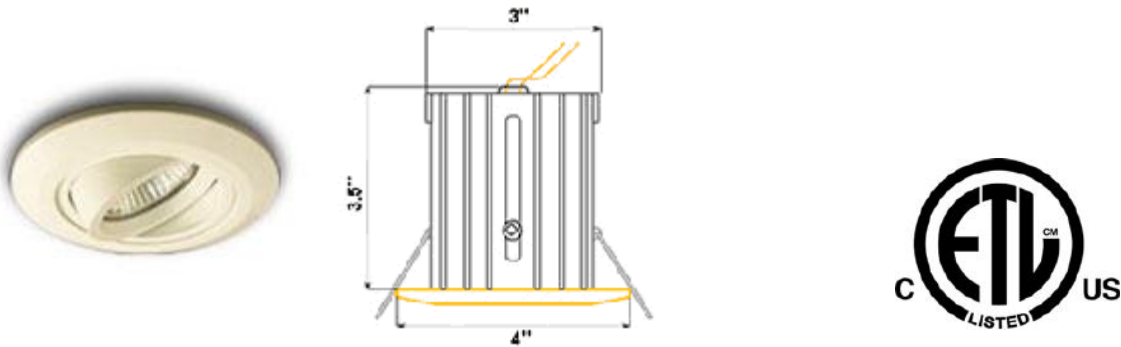
- 12V MR16: Low Voltage Halogen Bulb
- 24V MR16: Low Voltage Halogen Bulb
- 28V MR16: Low Voltage Halogen Bulb
- 120V MR16/G8: Line Voltage Halogen Bulb
- 240V MR16: Line Voltage Halogen Bulb
- Led MR16 6 Watts Led Light Bulb
- Led GU10 7 Watts Led Light Bulb



FUTURA LIGHTING

Display Gimbal

Model Number: 9620



The 9620 and 9630 gimbal downlight has interchangeable gimbal rings and trim rings, which makes this collection a perfect light for specifiers. Its unique styling allows for the light to be used as a straight downlight or a 30degree adjustable gimbal. Supplied with either a MR16 or MR16G8 socket assembly, the 9620 and 9630 can be used with low voltage or line voltage bulbs. It mounts with spring clips and comes with a ground and connector for easy installation. The 9620 and 9630 series are ETL approved and conforms to UL standard 153. MAX 35 Watts

Can be used with:

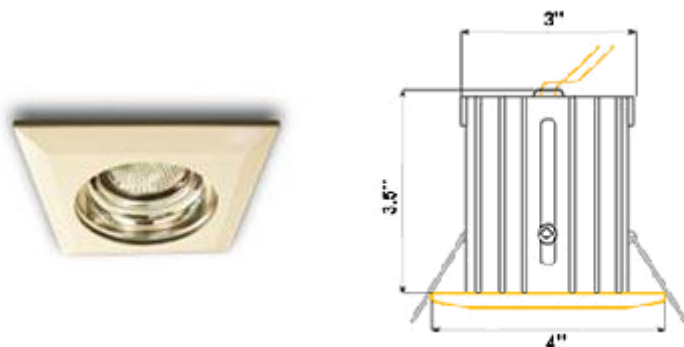
- 12V MR16: Low Voltage Halogen Bulb
- 24V MR16: Low Voltage Halogen Bulb
- 28V MR16: Low Voltage Halogen Bulb
- 120V MR16/G8: Line Voltage Halogen Bulb
- 240V MR16: Line Voltage Halogen Bulb
- Led MR16 6 Watts Led Light Bulb
- Led GU10 7 Watts Led Light Bulb



FUTURA LIGHTING

Display Downlight

Model Number: 9610



The 9600 and 9610 downlight features several options for trim rings, baffles and decorative inserts, which makes this collection a perfect light for specifiers. Supplied with a MR16 or MR16G8 socket assembly, the 9600 and 9610 can be used with low voltage or line voltage bulbs. It mounts with spring clips and comes with a ground and connector for easy installation. The 9600 series are ETL approved and conforms to UL standard 153. MAX 35 Watts

Can be used with:

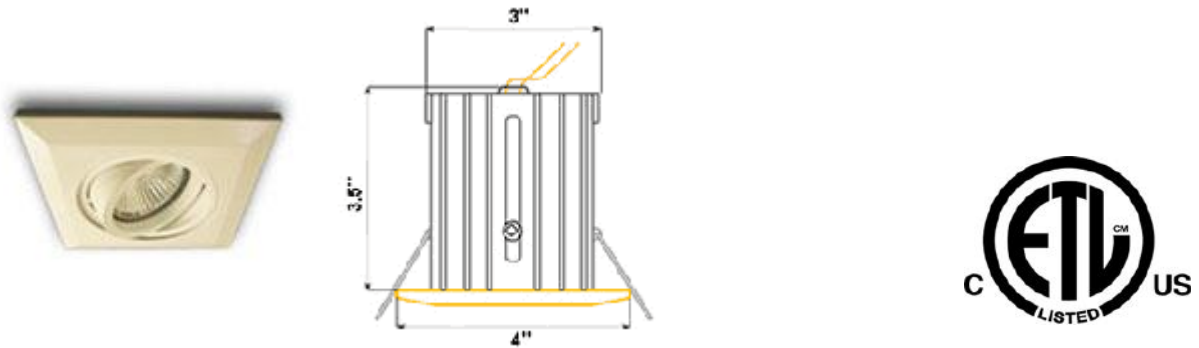
- 12V MR16: Low Voltage Halogen Bulb
- 24V MR16: Low Voltage Halogen Bulb
- 28V MR16: Low Voltage Halogen Bulb
- 120V MR16/G8: Line Voltage Halogen Bulb
- 240V MR16: Line Voltage Halogen Bulb
- Led MR16 6 Watts Led Light Bulb
- Led GU10 7 Watts Led Light Bulb



FUTURA LIGHTING

Display Gimbal

Model Number: 9630



The 9620 and 9630 gimbal downlight has interchangeable gimbal rings and trim rings, which makes this collection a perfect light for specifiers. Its unique styling allows for the light to be used as a straight downlight or a 30degree adjustable gimbal. Supplied with either a MR16 or MR16G8 socket assembly, the 9620 and 9630 can be used with low voltage or line voltage bulbs. It mounts with spring clips and comes with a ground and connector for easy installation. The 9620 and 9630 series are ETL approved and conforms to UL standard 153. MAX 35 Watts

Can be used with:

- 12VMR16:Low Voltage Halogen Bulb
- 24VMR16:Low Voltage Halogen Bulb
- 28VMR16:Low Voltage Halogen Bulb
- 120VMR16/G8:Line Voltage Halogen Bulb
- 240VMR16:Line Voltage Halogen Bulb
- Led MR16 6 Watts Led Light Bulb

