

# FUTURA LIGHTING

## LED Marine Recessed Downlight 4-inch

**Model Number:** ML-4M & ML-4T (Replaces the 105mm Downlight)

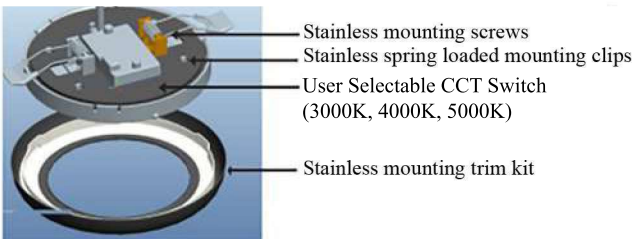
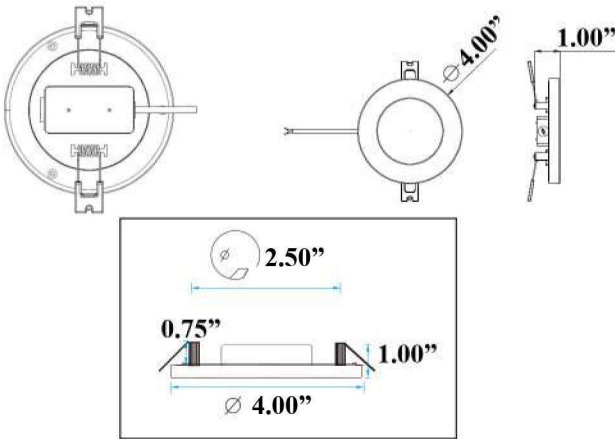
### ML-4M (MODERN TRIM)



### ML-4T (TRADITIONAL TRIM)



### DIMENSION & CUT OUT IMAGES



<b>Voltage</b>	12-24V System (10/30V Range)
<b>Wattage</b>	5W
<b>LED Size</b>	SMD Led's
<b>Lumen</b>	300 lm
<b>Beam Angle</b>	120°
<b>CRI</b>	CRI90, SDCM<3.0
<b>CCT</b>	3 CCT (3000K/4000K/5000K)
<b>RBW</b>	2 Wire TTP
<b>Driver</b>	Isolated Driver 12/24V
<b>IP Degree</b>	IP65 for the surface and IP54 for the back
<b>Dimmable</b>	TRIAC/ELV 10%-100%
<b>Life Span</b>	50,000 Hours
<b>Accessories</b>	With 35 1/2" long, waterproof connector cable 3pcs Ø 3*12 stainless steel mounting screw 1pc 2mm thickness EVA Waterproof sealing ring

### DIMENSIONS

<b>Product Size</b>	Ø 4.00" x 1.00" H
<b>Cut Out</b>	Ø 2.50"

### COMPONENT

<b>Material</b>	316 Stainless Steel + PC + Aluminum
<b>Color</b>	Polished Stainless / Powder Coated White (RAL 9010)

### ITEM ID & DESCRIPTION

<b>ML-4M-10/30-SS</b>	Marine Light 4", 10/30V, CCT, 3K+4K+5K, Dimm, Stainless
<b>ML-4M-10/30-WH</b>	Marine Light 4", 10/30V, CCT, 3K+4K+5K, Dimm, White
<b>ML-4M-10/30-RBW-SS</b>	Marine Light 4", 10/30V, R+B+W-3K, Dimm, Stainless
<b>ML-4M-10/30-RBW-WH</b>	Marine Light 4", 10/30V, R+B+W-3K, Dimm, White
<b>ML-4M-10/30-RBNW-SS</b>	Marine Light 4", 10/30V, R+B+NW-4K, Dimm, Stainless
<b>ML-4M-10/30-RBNW-WH</b>	Marine Light 4", 10/30V, R+B+NW-4K, Dimm, White
<b>ML-4T-10/30-SS</b>	Marine Light 4", 10/30V, CCT, 3K+4K+5K, Dimm, Stainless
<b>ML-4T-10/30-WH</b>	Marine Light 4", 10/30V, CCT, 3K+4K+5K, Dimm, White
<b>ML-4T-10/30-RBW-SS</b>	Marine Light 4", 10/30V, R+B+W-3K, Dimm, Stainless
<b>ML-4T-10/30-RBW-WH</b>	Marine Light 4", 10/30V, R+B+W-3K, Dimm, White
<b>ML-4T-10/30-RBNW-SS</b>	Marine Light 4", 10/30V, R+B+NW-4K, Dimm, Stainless
<b>ML-4T-10/30-RBNW-WH</b>	Marine Light 4", 10/30V, R+B+NW-4K, Dimm, White