

FUTURA LIGHTING

LED Marine Recessed Downlight 5-inch

Model Number: ML-5M & ML-5T (Replaces the 105mm and 125mm Downlights)

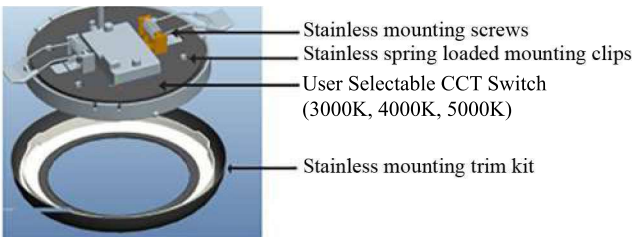
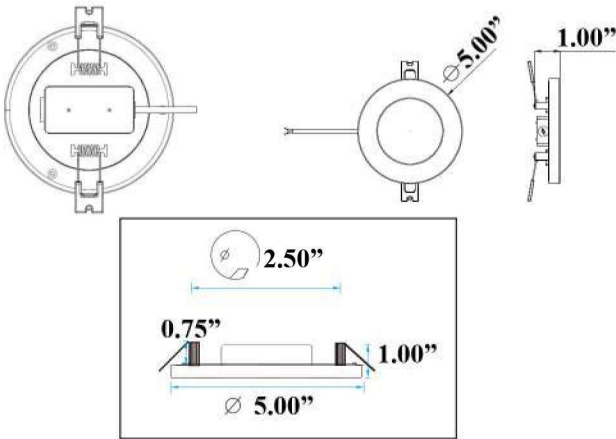
ML-5M (MODERN TRIM)



ML-5T (TRADITIONAL TRIM)



DIMENSION & CUT OUT IMAGES



| | |
|--------------------|--|
| Voltage | 12-24V System (10/30V Range) |
| Wattage | 5W |
| LED Size | SMD Led's |
| Lumen | 300 lm |
| Beam Angle | 120° |
| CRI | CRI90, SDCM<3.0 |
| CCT | 3 CCT (3000K/4000K/5000K) |
| RBW | 2 Wire TTP |
| Driver | Isolated Driver 12/24V |
| IP Degree | IP65 for the surface and IP54 for the back |
| Dimmable | TRIAC/ELV 10%-100% |
| Life Span | 50,000 Hours |
| Accessories | With 35 1/2" long, waterproof connector cable 3pcs Ø 3*12 stainless steel mounting screw 1pc 2mm thickness EVA Waterproof sealing ring |

DIMENSIONS

| | |
|---------------------|-------------------|
| Product Size | Ø 5.00" x 1.00" H |
| Cut Out | Ø 2.50" |

COMPONENT

| | |
|-----------------|---|
| Material | 316 Stainless Steel + PC + Aluminum |
| Color | Polished Stainless / Powder Coated White (RAL 9010) |

ITEM ID & DESCRIPTION

| | |
|----------------------------|---|
| ML-5M-10/30-SS | Marine Light 5", 10/30V, CCT, 3K+4K+5K, Dimm, Stainless |
| ML-5M-10/30-WH | Marine Light 5", 10/30V, CCT, 3K+4K+5K, Dimm, White |
| ML-5M-10/30-RBW-SS | Marine Light 5", 10/30V, R+B+W-3K, Dimm, Stainless |
| ML-5M-10/30-RBW-WH | Marine Light 5", 10/30V, R+B+W-3K, Dimm, White |
| ML-5M-10/30-RBNW-SS | Marine Light 5", 10/30V, R+B+NW-4K, Dimm, Stainless |
| ML-5M-10/30-RBNW-WH | Marine Light 5", 10/30V, R+B+NW-4K, Dimm, White |
| ML-5T-10/30-SS | Marine Light 5", 10/30V, CCT, 3K+4K+5K, Dimm, Stainless |
| ML-5T-10/30-WH | Marine Light 5", 10/30V, CCT, 3K+4K+5K, Dimm, White |
| ML-5T-10/30-RBW-SS | Marine Light 5", 10/30V, R+B+W-3K, Dimm, Stainless |
| ML-5T-10/30-RBW-WH | Marine Light 5", 10/30V, R+B+W-3K, Dimm, White |
| ML-5T-10/30-RBNW-SS | Marine Light 5", 10/30V, R+B+NW-4K, Dimm, Stainless |
| ML-5T-10/30-RBNW-WH | Marine Light 5", 10/30V, R+B+NW-4K, Dimm, White |