

FUTURA LIGHTING

LED Marine Recessed Downlight 6-inch

Model Number: ML-6M & ML-6T (Replaces the 155mm Downlight)

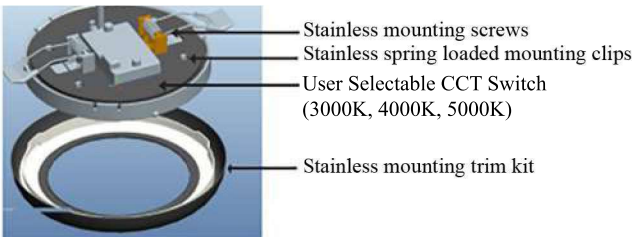
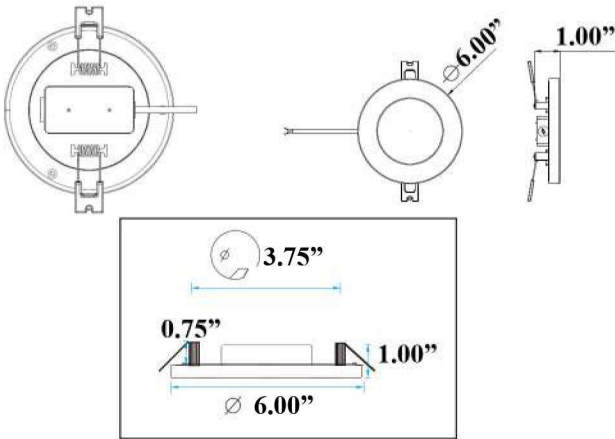
ML-6M (MODERN TRIM)



ML-6T (TRADITIONAL TRIM)



DIMENSION & CUT OUT IMAGES



Voltage	12-24V System (10/30V Range)
Wattage	9W
LED Size	SMD Led's
Lumen	580 lm
Beam Angle	120°
CRI	CRI90, SDCM<3.0
CCT	3 CCT (3000K/4000K/5000K)
RBW	2 Wire TTP
Driver	Isolated Driver 12/24V
IP Degree	IP65 for the surface and IP54 for the back
Dimmable	TRIAC/ELV 10%-100%
Life Span	50,000 Hours
Accessories	With 35 1/2" long, waterproof connector cable 3pcs Ø 3*12 stainless steel mounting screw 1pc 2mm thickness EVA Waterproof sealing ring

DIMENSIONS

Product Size	Ø 6.00" x 1.00" H
Cut Out	Ø 3.75"

COMPONENT

Material	316 Stainless Steel + PC + Aluminum
Color	Polished Stainless / Powder Coated White (RAL 9010)

ITEM ID & DESCRIPTION

ML-6M-10/30-SS	Marine Light 6", 10/30V, CCT, 3K+4K+5K, Dimm, Stainless
ML-6M-10/30-WH	Marine Light 6", 10/30V, CCT, 3K+4K+5K, Dimm, White
ML-6M-10/30-RBW-SS	Marine Light 6", 10/30V, R+B+W-3K, Dimm, Stainless
ML-6M-10/30-RBW-WH	Marine Light 6", 10/30V, R+B+W-3K, Dimm, White
ML-6M-10/30-RBNW-SS	Marine Light 6", 10/30V, R+B+NW-4K, Dimm, Stainless
ML-6M-10/30-RBNW-WH	Marine Light 6", 10/30V, R+B+NW-4K, Dimm, White
ML-6T-10/30-SS	Marine Light 6", 10/30V, CCT, 3K+4K+5K, Dimm, Stainless
ML-6T-10/30-WH	Marine Light 6", 10/30V, CCT, 3K+4K+5K, Dimm, White
ML-6T-10/30-RBW-SS	Marine Light 6", 10/30V, R+B+W-3K, Dimm, Stainless
ML-6T-10/30-RBW-WH	Marine Light 6", 10/30V, R+B+W-3K, Dimm, White
ML-6T-10/30-RBNW-SS	Marine Light 6", 10/30V, R+B+NW-4K, Dimm, Stainless
ML-6T-10/30-RBNW-WH	Marine Light 6", 10/30V, R+B+NW-4K, Dimm, White