

# LRT-363 AC

SPECIFICATIONS

### UL File Numbers

UL and C-UL Listed  
UL FILE # E 193999

### Available Version

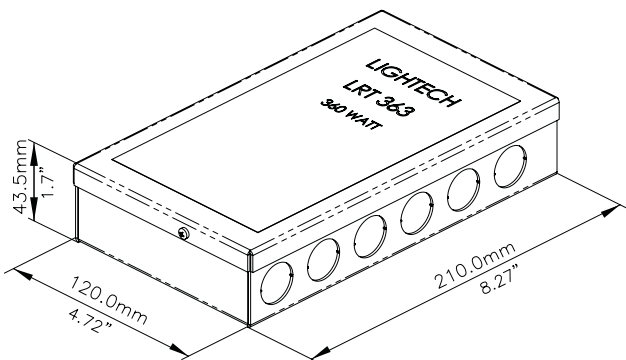
901363040-LRT 363-6-class 2 circuits

### Mechanical and Thermal

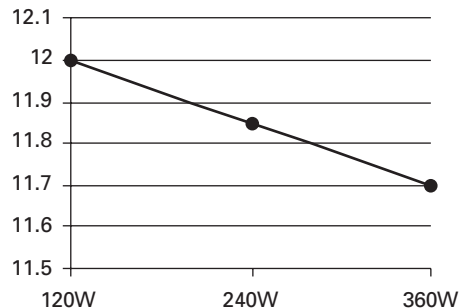
Dimensions (mm)      43.5 x 120 x 210  
 Dimensions (in.)      1.7 x 4.72 x 8.27  
 Weight                  35.27ounces/1000 grams  
 Max. case temp.            90°C  
 Max. ambient temp.        50°C  
 Output wire-blue 16 AWG    200°C  
 Input wire-white/black 18AWG   200°C  
 Grounding Wire-green 18AWG   200°C  
 Aluminum inner casing  
 Steel outer casing

### Electrical

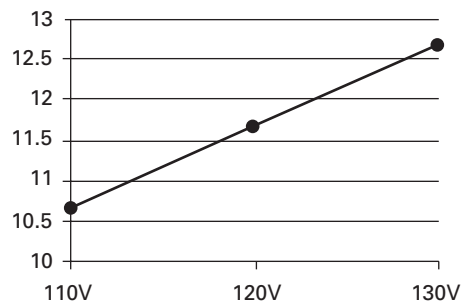
Load                                  120-360W  
 Input                                  120V 50/60Hz  
 Output at 360W                    11.7V 40kHz  
 Having 6-60 watt class 2 outputs  
 Input current at 360W              3.2A  
 Output current at 360W            5Ax6  
 Power factor                        0.95  
 Max. harmonic distortion        13%  
 Dimmable



### Output Voltage vs. Load at 120V



### Output vs. Input at Max. Load



### Protection

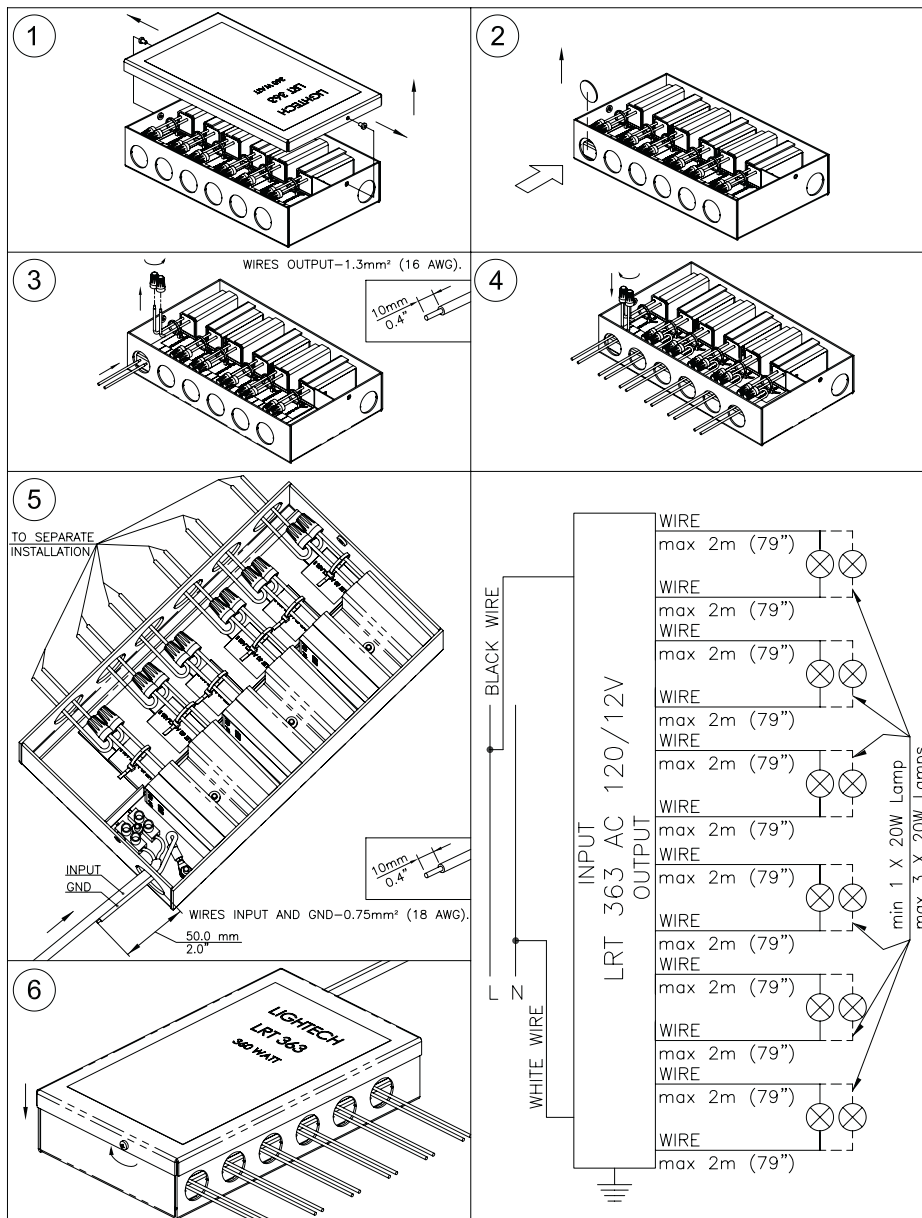
Auto-reset electronic short circuit and overload protection. Auto-Reset thermal cut-off @ 125C.

See reverse side for more information →



# LRT-363 AC

## Mounting Instructions



## Safety Instructions:

1. Always be sure that LRT is disconnected from 120V line, before installations and removals.
2. Install in accordance with national and local electrical codes.
3. The LRT is designed for up to six separate installations.
4. Any one of the six LRT outputs that are not in use should be covered with the plastic wire nuts (included).
5. Wires:  
 Input wires – 0.75mm<sup>2</sup> or 18 AWG  
 Output wires – 1.3mm<sup>2</sup> or 16 AWG.