

FUTURA LIGHTING

Futura Electronic Dimmable Transformers & Drivers

Prod. Name: FET Series Transformers & DIM3 Series Drivers



A new collection of transformers and drivers is now available. These electronic units are smaller and weigh much less than their magnetic counterparts and are completely compatible with ELV (Electronic Low-Voltage) dimmers. The DIM3 Series drivers are now universal power supplies, meaning that they will power both LED and Halogen bulbs.

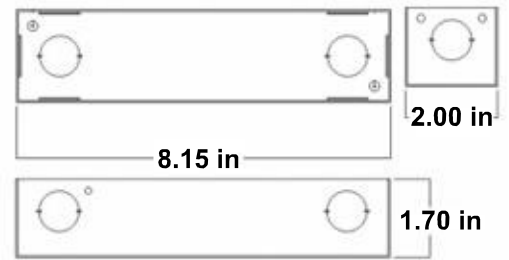
Features:

- Electronic Transformers & Drivers
- Light Weight Units
- Energy Efficient
- ETL, UL Recognized
- Short Circuit protection
- Auto Reset

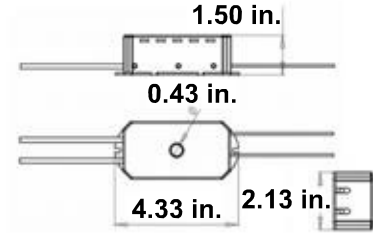
- Thermal Protection
- Soft Start Technology
- Fully Dimmable with ELV Standard Dimmers
- Low Profile, Small Form Factor
- Advanced No load Technology
- High Power Factor



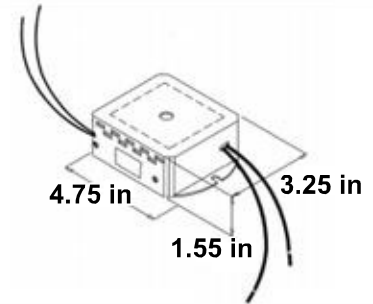
Part Number: FL-60W-12V-LED-DIM3
 Input 120V AC, 50/60Hz
 Output 12V DC, 5A Max
 Max Wattage: 60W
 Weight 401.5g
 Used For: Halogen, Xenon, & LEDs
 Also Available with 24V DC Output



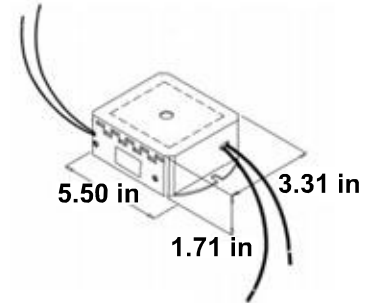
Part Number: FET-150W-12V DC
 Input: 120V AC, 50/60Hz
 Output: 12V DC, 5A Max
 Max Wattage: 150W
 Weight: 250g
 Used For: Halogen & Xenon Bulbs



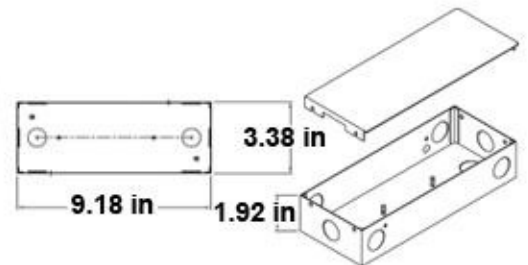
Part Number: FET-300W-12V AC
 Input: 120V AC 50/60Hz
 Output: 12V AC, 25A Max
 Max Wattage: 300W
 Weight: 320g
 Used For: Halogen & Xenon Bulbs



Part Number: FET-300W-12V DC
 Input: 120V AC, 50/60Hz
 Output: 12V DC, 25A Max
 Max Wattage: 300W
 Weight: 480g
 Used For: Halogen & Xenon Bulbs



Part Number: FL-150W-12V-LED-DIM3
 Input 120V AC, 50/60Hz
 Output 12V DC, 12.5A Max
 Max Wattage: 150W
 Weight 860g
 Used For: Halogen, Xenon, & LEDs
 Also Available with 24V DC Output



Part Number: FL-300W-12V-LED-DIM3
 Input 120V AC, 50/60Hz
 Output 12V DC, 25A Max
 Max Wattage: 300W
 Weight 970g
 Used For: Halogen, Xenon, & LEDs
 Also Available with 24V DC Output

